

JS-L12
JS-M8 & JS-M12
JS-H8 & JS-H12

Capacities 8,500 - 12,000 kg



Axle Stands

Stertil-Koni axle stands are available in 5 models. They are available in various heights; low, mid and high with a capacity consisting of 8,500 - 12,000 kg each. The mid and high range models are foldable and can easily be positioned over a mobile column base frame.

- A fine adjustment option is available on all the axle stand models
- All of Stertil-Koni's axle stands comply to the stringent ASME/PASE 2014 standard

- The axle stands are thoroughly tested with a static load based on 200% of the rated capacity
- Testing has been performed asymmetrically equal to rated capacity
- Spring loaded wheels, for easy positioning of the stand*
- Slider tube spring assembly for ultimate safety*

*standard available with delivery on JS-M and JS-H models

Specifications

Model: JS-L12

Type:	fixed axle stand
Capacity:	12,000 kg
Height:	355 mm min. - 550 mm max.
Adjustable:	195 mm, 3 positions / 4 pin stops
Weight:	18.5 kg each

Models: JS-M8 & JS-M12

Type:	foldable axle stand
Capacity:	8,500 kg & 12,000 kg
Height:	765 mm min. - 1290 mm max.
Adjustable:	525 mm, 7 positions / 8 pin stops
Weight:	37.5 kg, 46 kg each

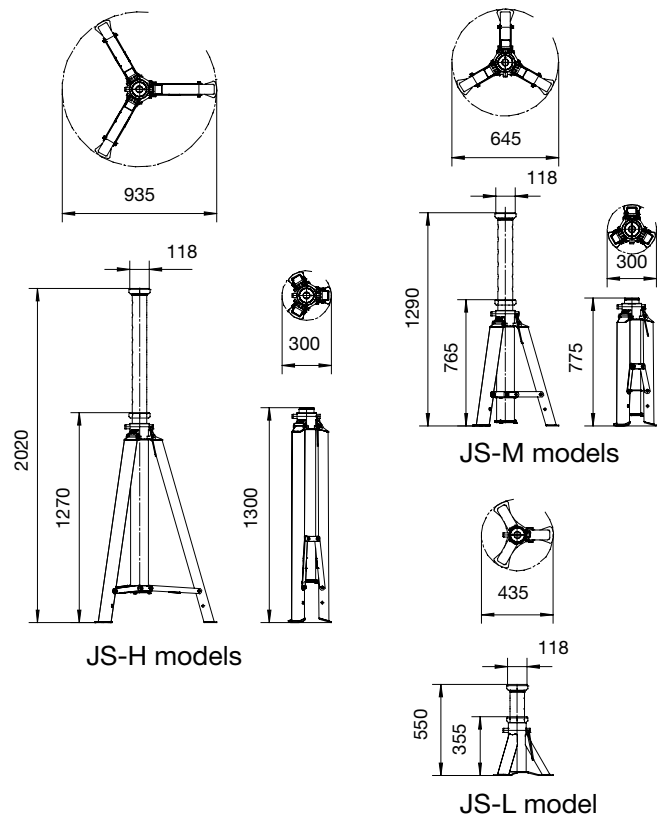
Models: JS-H8 & JS-H12

Type:	foldable axle stand
Capacity:	8,500 kg & 12,000 kg
Height:	1270 mm min. - 2020 mm max.
Adjustable:	750 mm, 10 positions / 11 pin stops
Weight:	57 kg, 72 kg each

Options

- U-shape adaptor
- V-shape adaptor
- Fine adjustment (75 mm max.)
- Storage bracket for safe, easy, and space saving storage of the axle stand*

*only available for JS-M and JS-H models



Model	Capacity (kg)	Weight (kg)
JS-L12	12,000	18.5
JS-M8	8,500	37.5
JS-M12	12,000	46
JS-H8	8,500	57
JS-H12	12,000	72



stertil KONI

 a member of the Stertil Group

Stertil B.V.
P.O. Box 23
9288 ZG Kootsterille
The Netherlands
Tel. +31(0)512 334444
info@stertil.nl

www.stertilkoni.com

 Stertil-Koni

 Stertil