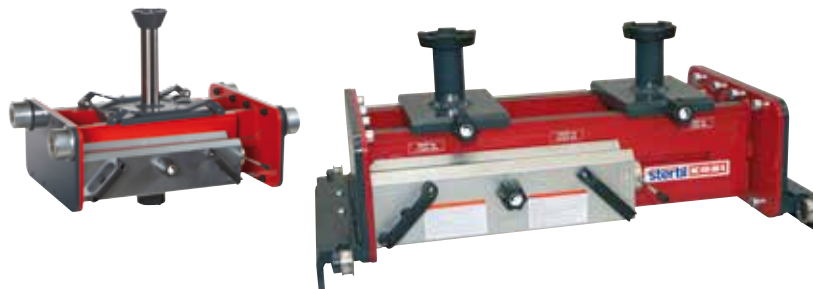


**JB80-2**  
**JB160-2**  
**JB120-2**  
**JB200-2**

Capacity 8 / 12 / 16 / 20 t



### Air hydraulic twin ram jacking beam

- 2 individually controlled rams offer safe and balanced lifting
- Transversely sliding rams
- Rapid and precise air hydraulic unit with high speed ram travel
- Simple modern design with control panel at ergonomical working height
- Can be made to fit all lifts due to its adjustable frame (590 - 890 mm or 850 - 1150 mm)
- Frame height is adjusted and set to the customers individual specifications
- Hold to run release and safety overload valve for optimum safety
- Supplied with 2 x 100mm extensions + 2 x flat adapters
- Also available in single ram version

## Options

### Diff. beam

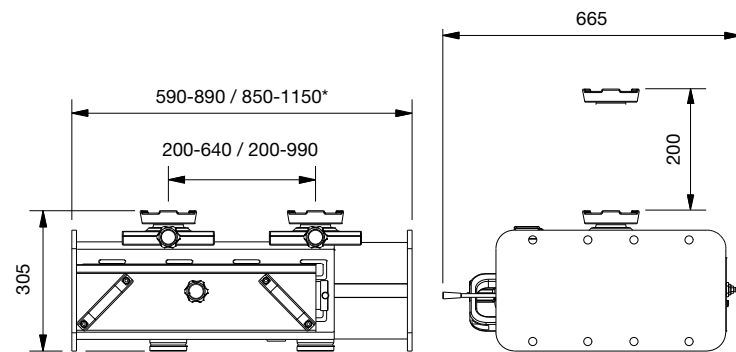
For lifting with both rams at one point.



### Crossbeam adapter

Capacity 15,0 tons, adjustable 125-750 mm

Total length 902 mm, height 136 mm



\* dimensions excluding support arms

### Trolley



### Extensions

100 mm, 200 mm



### Adapters

U-shape

V-shape



|                           | JB80-2     | JB120-2    | JB160-2    | JB200-2    |
|---------------------------|------------|------------|------------|------------|
| Capacity                  | 8 t        | 12 t       | 16 t       | 20 t       |
| Stroke                    | 200 mm     | 200 mm     | 200 mm     | 200 mm     |
| Min. height               | 305 mm     | 305 mm     | 305 mm     | 305 mm     |
| Max. height               | 505 mm     | 505 mm     | 505 mm     | 505 mm     |
| Width range small frame   | 590-890    | 590-890    | 590-890    | 590-890    |
| Width range wide frame    | 850-1150   | 850-1150   | 850-1150   | 850-1150   |
| Depth                     | 665 mm     | 665 mm     | 665 mm     | 665 mm     |
| Lifting points (distance) | 200-990 mm | 200-990 mm | 200-990 mm | 200-990 mm |
| Air supply                | 8 - 12 bar | 8 - 12 bar | 8 - 12 bar | 8 - 12 bar |
| Air consumption           | 350 l/min  | 350 l/min  | 350 l/min  | 350 l/min  |
| Weight                    | 202 kg     | 202 kg     | 202 kg     | 202 kg     |

\* The capacity of the jacking beam cannot exceed 0,66 x the lift capacity

**stertil KONI**

 a member of the Stertil Group

Stertil B.V.  
P.O. Box 23  
9288 ZG Kootsterille  
The Netherlands  
Tel. +31(0)512 334444  
info@stertil.nl

www.stertilkoni.com

 Stertil-Koni

 Stertil